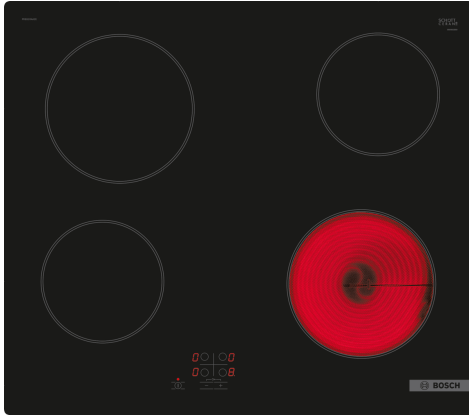


**Series 2, Electric hob, 60 cm, Black,  
PKE61RAA8B**



**Optional accessories**

- HEZ390090 Wok Set consisting of 3 Items
- HEZ392617 Intermediate bottom
- HEZ9FE280 Iron pan Ø 18 / 28 cm

**The glass-ceramic radiant hob: makes  
cooking and cleaning especially easy.**

- **The handy ChildLock locks the control panel to prevent accidental changes in settings.**
- **TouchSelect Basic: Selection of the desired cooking zone and easy setting of the desired power level.**

**Technical Data**

Appliance type: .....Cooking zone ceramic  
 Built-in / Free-standing: ..... Built-in  
 Heating type: .....Electric hob  
 Number of cooking zones: .....4  
 Min. required niche size for installation (HxWxD): .....45 x 560-560 x 490-500 mm  
 Width of the appliance: .....592 mm  
 Dimensions: ..... 45 x 592 x 522 mm  
 Dimensions of the packed product (HxWxD): ..... 100 x 750 x 590 mm  
 Net weight: .....7.3 kg  
 Gross weight: ..... 8.0 kg  
 Residual heat indicator: ..... Separate  
 Location of control panel: ..... Front  
 Basic surface material: .....Ceramic glass  
 Color of surface: .....Black  
 Length electrical supply cord: ..... 100.0 cm  
 EAN code: .....4242005280384  
 Voltage: ..... 220-240 V  
 Frequency: ..... 50; 60 Hz



## Series 2, Electric hob, 60 cm, Black, PKE61RAA8B

### The glass-ceramic radiant hob: makes cooking and cleaning especially easy.

---

#### Flexibility of cooking zones

- Cooking zone front left: 145 mm, 1.2 KW
- Cooking zone rear left: 180 mm, 2 KW
- Cooking zone rear right: 145 mm , 1.2 KW
- Cooking zone front right: 180 mm, 2 KW

#### Usage convenience

- TouchSelect Basic: control the power with imprinted +/- touch buttons.
- Variable 9-stage power settings for each zone: precisely adapt the heat with 9 power levels.
- Quick Stop: quickly switch off a cooking zone with one longer touch.

#### Design

- 60 cm: space for 4 pots or pans.
- Frameless design

#### Safety

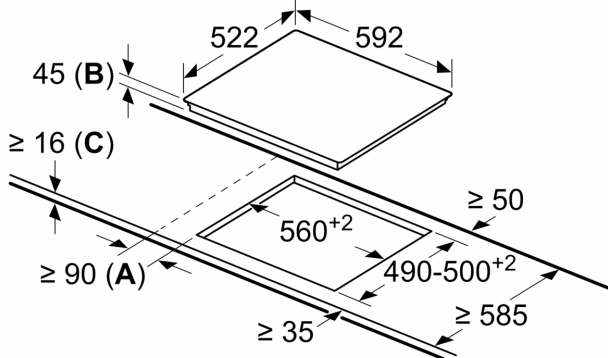
- Control panel lock: prevent unintended activation of the hob.
- Main on/off switch: switch off all cooking zones at the touch of a button.
- Power on indicator light: indicates if the hob is heating.
- Automatic safety shut off: for safety reasons, heating stops after a preset time if not used (possible to customise).

#### Installation

- Dimensions of the product (HxWxD mm): 45 x 592 x 522
- Required niche size for installation (HxWxD mm) : 45 x 560 x (490 - 500)
- Min. worktop thickness: 16 mm
- Connected load: 6.4 KW
- Power cord: 1 m, Cable included

**Series 2, Electric hob, 60 cm, Black,  
PKE61RAA8B**

measurements in mm



- A:** Minimum distance from the hob cut-out to the wall.
- B:** Recessed depth
- C:** With fitted oven underneath min. 20, possibly more; see space requirements for the oven.